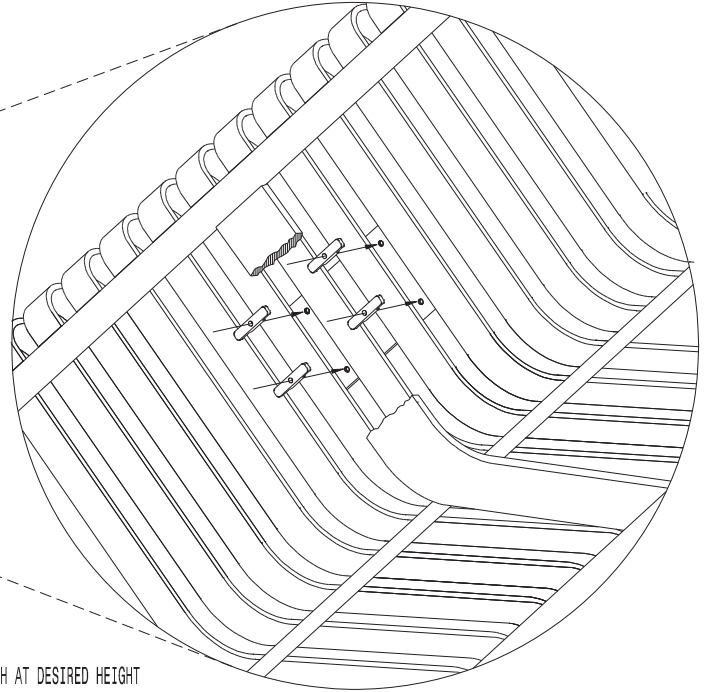
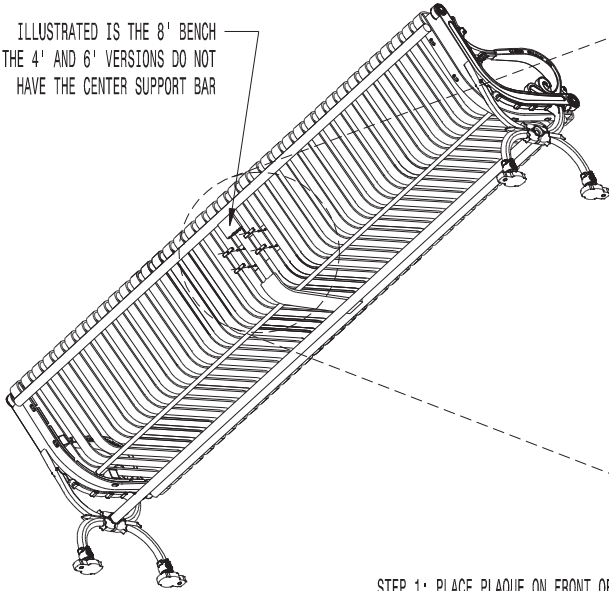
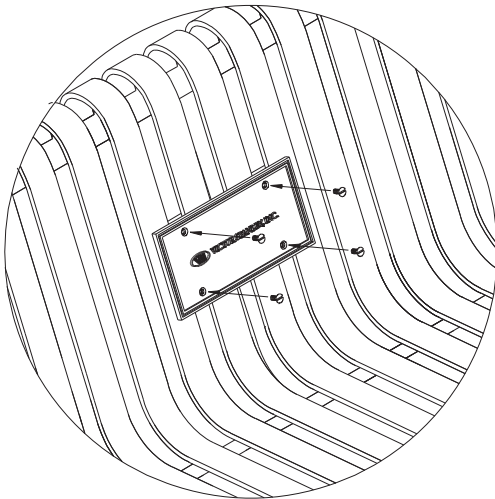




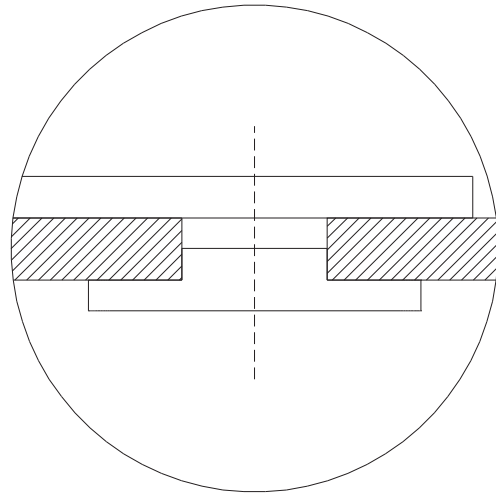
ILLUSTRATED IS THE 8' BENCH
 THE 4' AND 6' VERSIONS DO NOT
 HAVE THE CENTER SUPPORT BAR



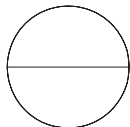
STEP 1: PLACE PLAQUE ON FRONT OF BENCH AT DESIRED HEIGHT
 STEP 2: INSERT CLIPS THROUGH STEEL SLATS FROM REAR OF BENCH (AS SHOWN)



3: INSERT SCREWS FROM FRONT AND TIGHTEN



PROPER CLIP/PLAQUE PLACEMENT



CR-10 PLAQUE ASSEMBLY INSTRUCTIONS