



CM-324 GREENSITE SERIES™ FM-324 FRAMERS MODERN™ SERIES

U.S. Patent D523,263 S; D526,805 S; D563,689 S; EC Reg. No. 000503297-0001; Canadian Patents 110953; 110954.

ASSEMBLY INSTRUCTIONS

ref# 2009-130, revised 4-22-09

**READ ALL INSTRUCTIONS THOROUGHLY
BEFORE YOU BEGIN.**

CHECK ALL PARTS

- Be certain there are no missing parts.
- Be certain all required tools are available.

REQUIRED TOOLS

- 5/32 and 7/32-inch Hex Drive
- 2 stands/sawhorses
- 2 towels (or something soft) for the seat to rest on to protect the finish
- 1/4-inch Allen Wrench

ASSISTANCE REQUIRED

- 3 people recommended to assemble product
 - Necessary to handle, fit and secure components
 - Heavy lifting

All specifications are subject to change. Contact manufacturer for details.

DELIVERY, STORAGE, and HANDLING

- A. **Delivery:** Deliver products to site in manufacturer's original, unopened containers and packaging. Upon delivery, examine packages immediately to ensure all products are complete and undamaged.
- B. **Storage:** Store products in a protected, dry area in manufacturer's unopened containers and packaging.
- C. **Handling:** Protect product's finish from damage during handling and installation

INSTALLATION

- A. Clearance for 3/8-inch (9.53mm) anchor bolts (anchor bolts not provided by Victor Stanley, Inc.)
- B. **Mounting:** It is not recommended to locate anchor bolts until bench is in place. This Victor Stanley, Inc. product must be permanently affixed to the ground. Consult your local codes for regulations.

PROTECTION

- A. Protect products prior to installation by having them remain in the manufacturer's packaging and container.



Should you have any problems, please contact Victor Stanley, Inc.®

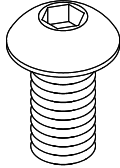
WWW.VICTORSTANLEY.COM



PARTS LIST

HARDWARE

A
x16



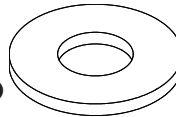
3/8-inch x 3/4-inch SS
BUTTON HEAD CAP SCREW

B
x16

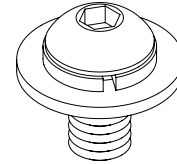


3/8-inch LOCK WASHER

C
x16



3/8-inch SS FLAT WASHER

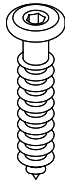


EXAMPLE
CONFIGURED FOR USE

COMPONENTS

D

x60 for 12-foot model
x72 for 16-foot model



Flat Head HEX DRIVE LAG SCREW

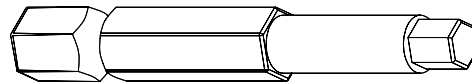
E

x60 for 12-foot model
x72 for 16-foot model



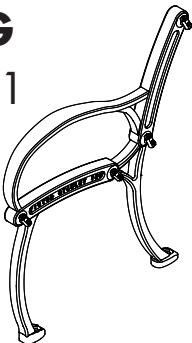
3/4-inch FLAT WASHER

F
x1



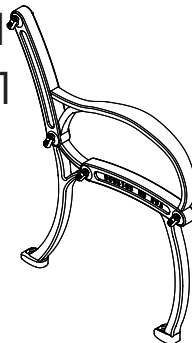
5/32-inch HEX DRIVE BIT

G
x1



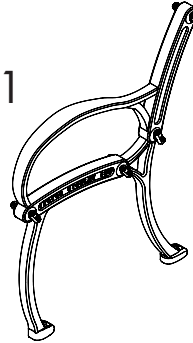
LEFT CAST LEG FRAME

H
x1



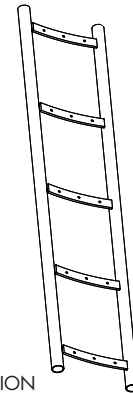
RIGHT CAST LEG FRAME

I
x1



CENTER CAST LEG FRAME

J
x4



BENCH SECTION

K

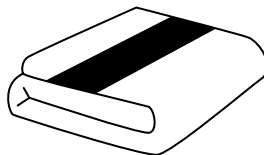
x12 BENCH SLATS



TOOLS REQUIRED



2 SAWHORSES

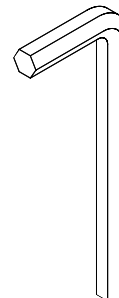


2 TOWELS
(or something soft to protect finish)



5/32-inch and
7/32-inch HEX DRIVE
*This symbolizes when to
use **TOOL** to tighten.

*This symbolizes when to
use **WRENCH** for alignment.

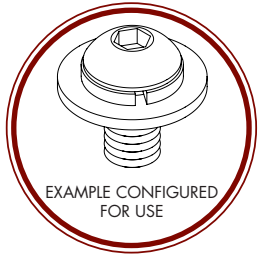


HANDS
*This symbolizes when to
use **HAND** to tighten.



STEP #1 Set one bench section face down on sawhorse using towels to protect finish.

#2 Attach leg frames using (3) bolts / washers (parts A, B & C together). Tighten by hand. Leave leg frame on one side angled out. If necessary, use a 1/4-inch Allen Wrench as a guide for aligning nuts and bolts as shown below in figure A.



1 2 3
 • • •



HAND TIGHTEN

PLACE TOWELS BETWEEN BENCH AND SAWHORSE TO PROTECT FINISH

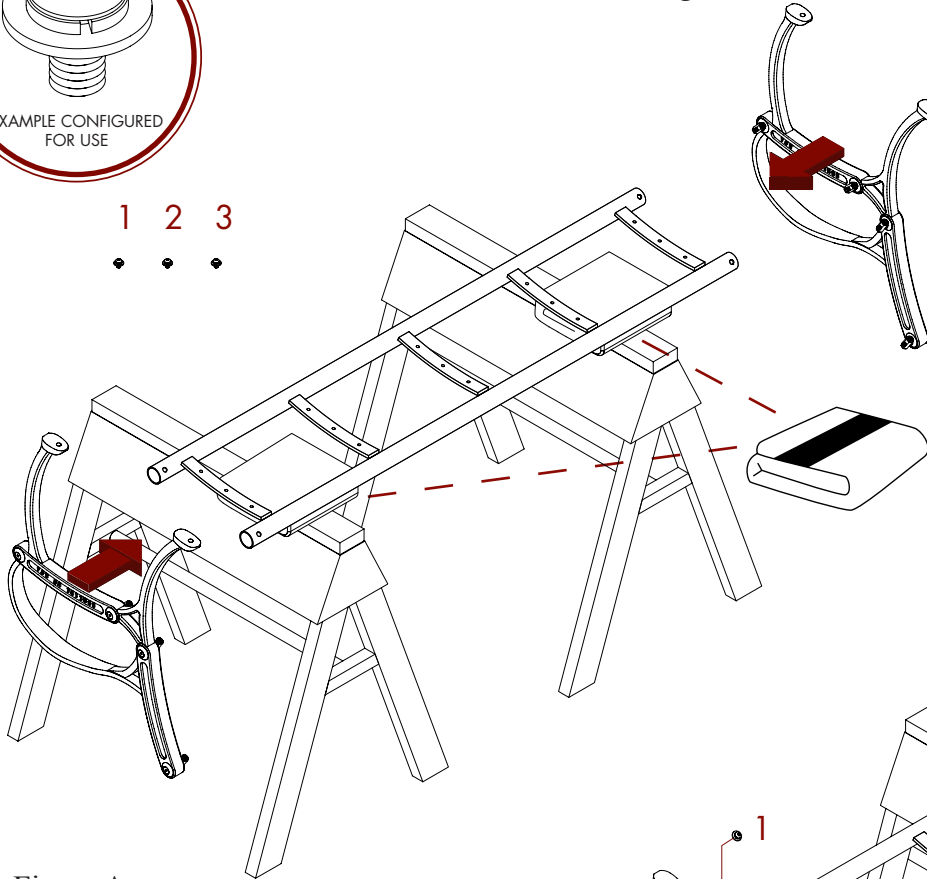
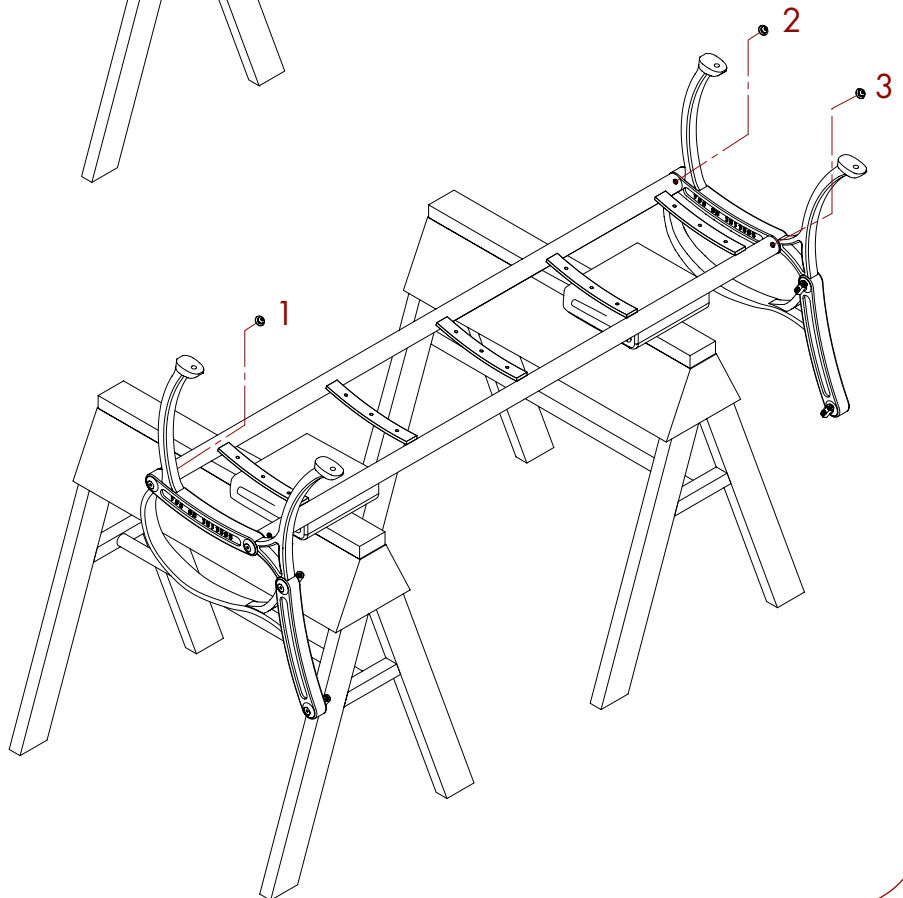
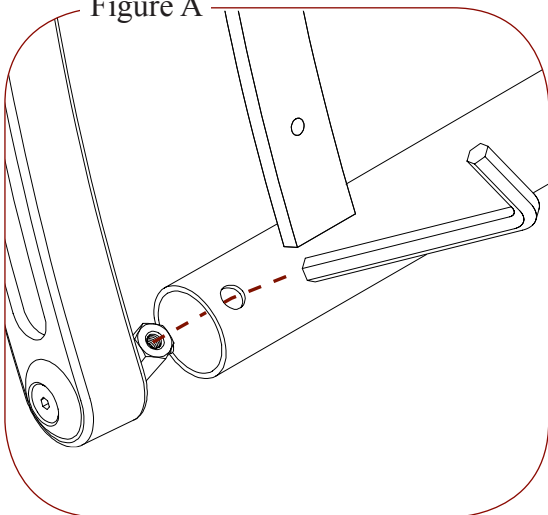


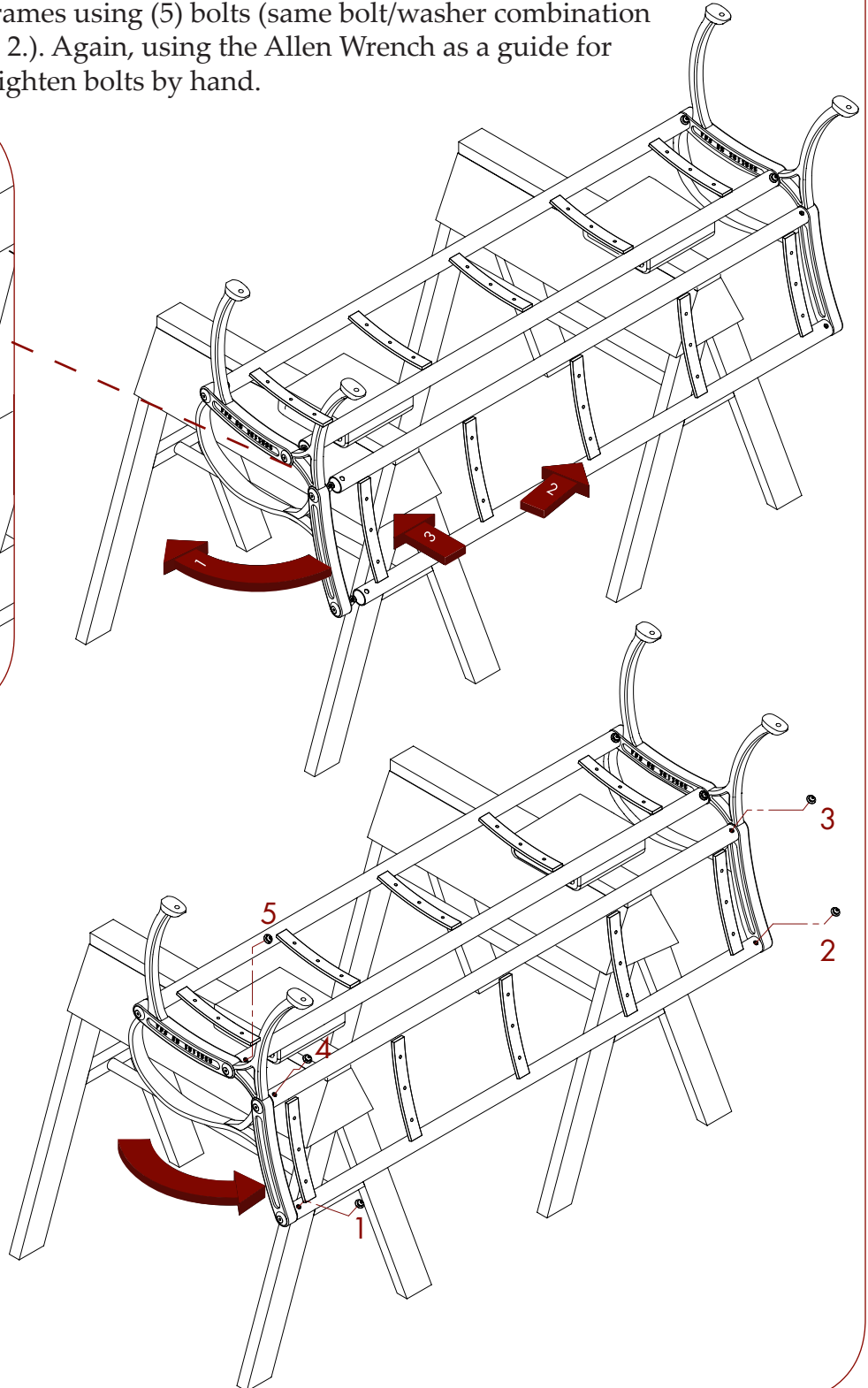
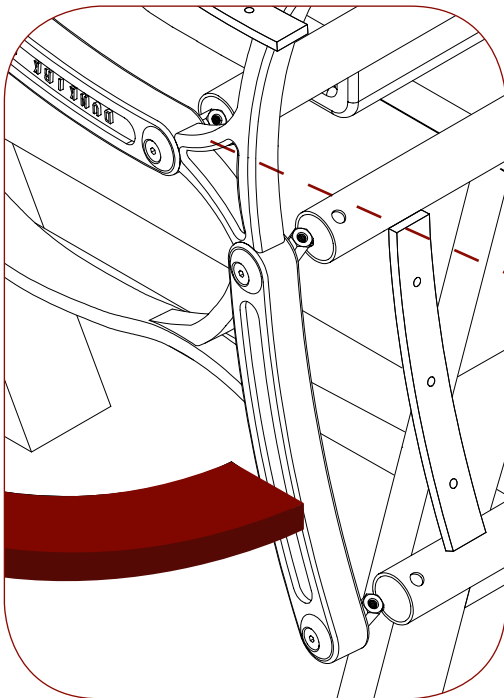
Figure A





STEP #3 Attach second bench section to be used as a backrest.

#4 Attach leg frames using (5) bolts (same bolt/washer combination used in Step 2.). Again, using the Allen Wrench as a guide for alignment, tighten bolts by hand.



HAND TIGHTEN

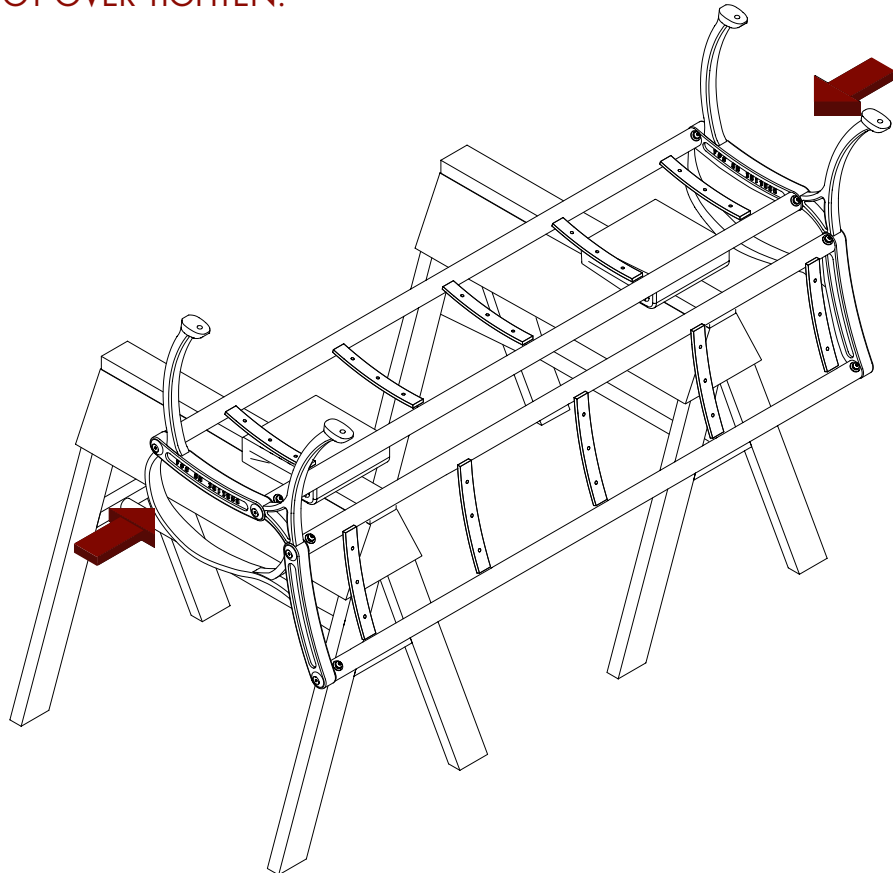


STEP #5 Push leg frames in towards bench section.

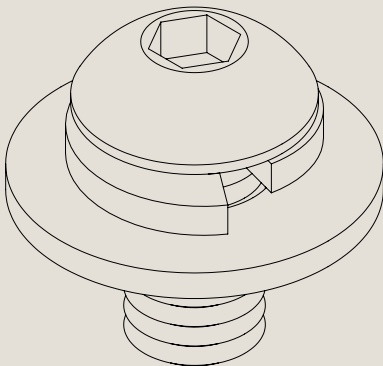
#6 Tighten all bolts now with tool.
Tighten only until lock washer is flat as shown below on right.
DO NOT OVER TIGHTEN.



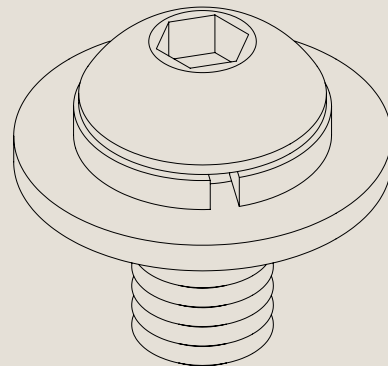
TOOL TIGHTEN



Lock washer when HAND tightened.



Lock washer when TOOL tightened.
DO NOT OVER TIGHTEN.



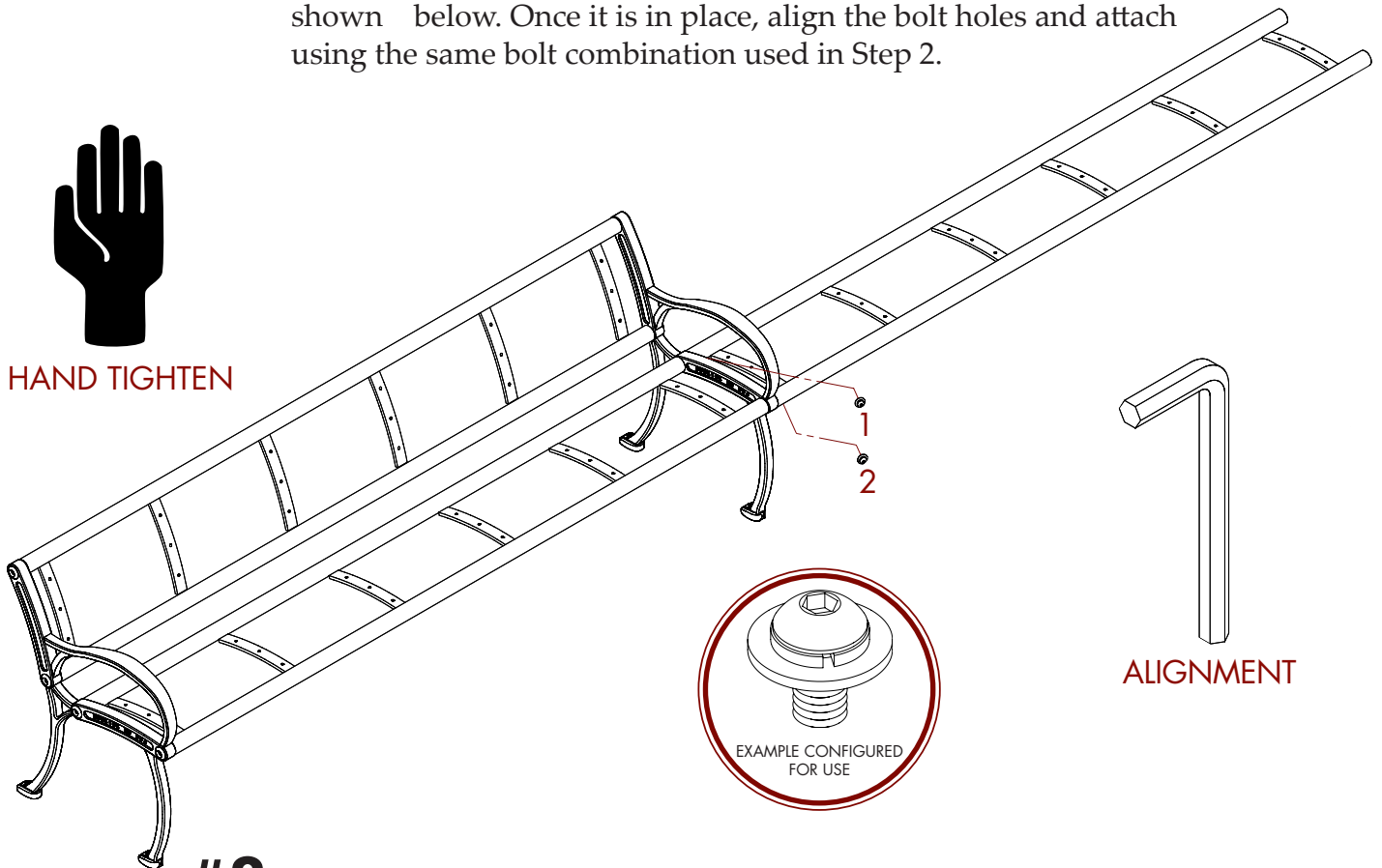


STEP #7

Once the first (2) seat sections are attached, carefully lift the bench and lower it to the ground using (3) people. Once bench is repositioned, have one person slide the 3rd seating section into place as shown below. Once it is in place, align the bolt holes and attach using the same bolt combination used in Step 2.



HAND TIGHTEN

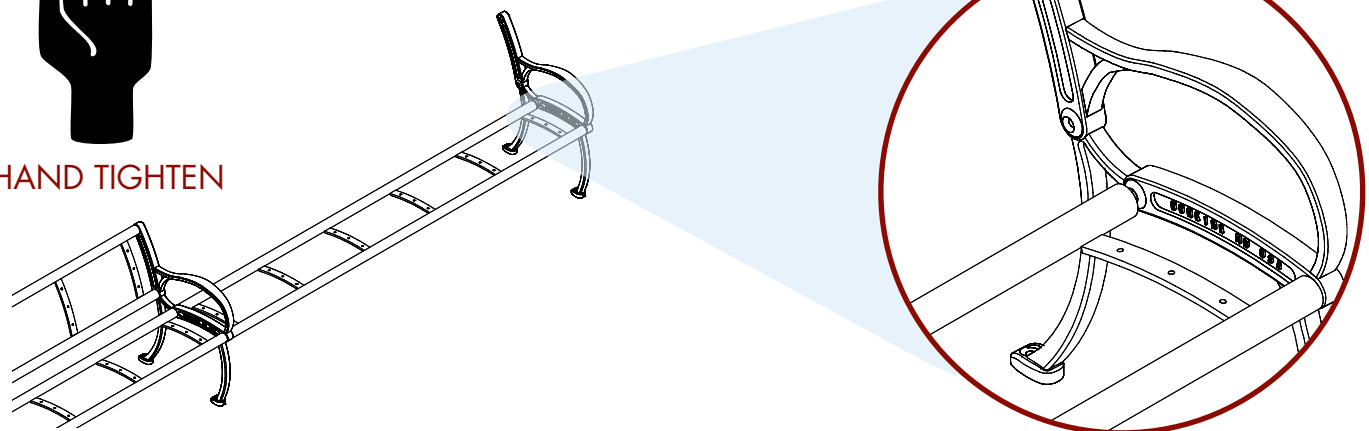


#8

Attach the front of the 3rd leg casting using the same hardware as used in Step 7. Be sure to leave the back end angled out as shown below to allow room for the backrest to fit in place.



HAND TIGHTEN

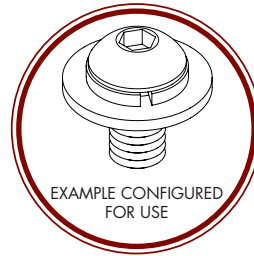
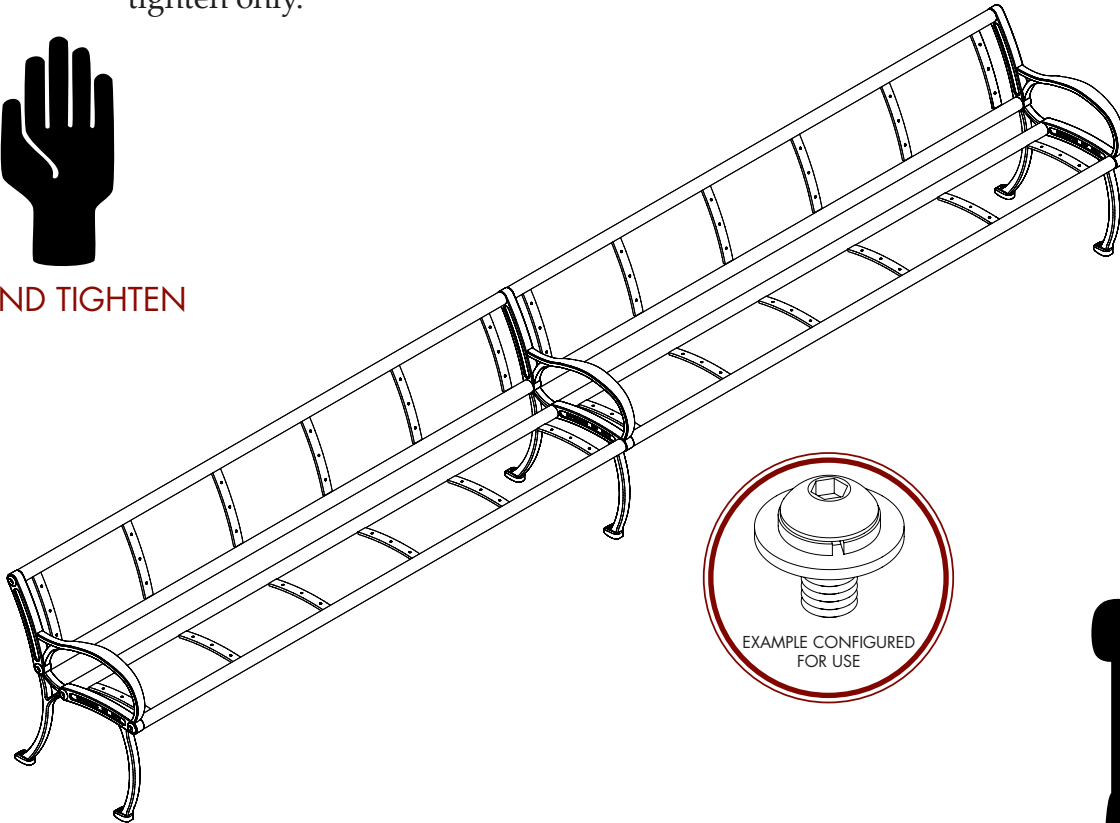




STEP #9 Next, attach the 4th seating section to be used as the second back-rest. Use the same hardware as used in Steps 7 & 8. Align the bolt holes (as done in Step 2) by using the 1/4-inch Allen Wrench. Hand tighten only.



HAND TIGHTEN



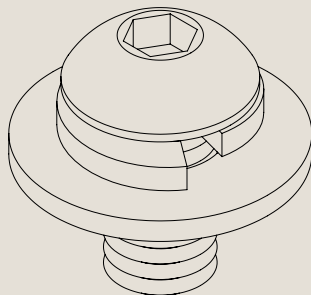
#10 Once the entire frame of the bench has been assembled, tighten all bolts with tool. Tighten only until lock washer is flat.
DO NOT OVER TIGHTEN.



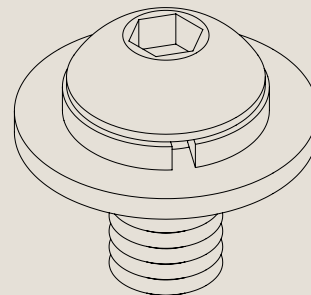
TOOL TIGHTEN



Lock washer when **HAND** tightened.



Lock washer when **TOOL** tightened.

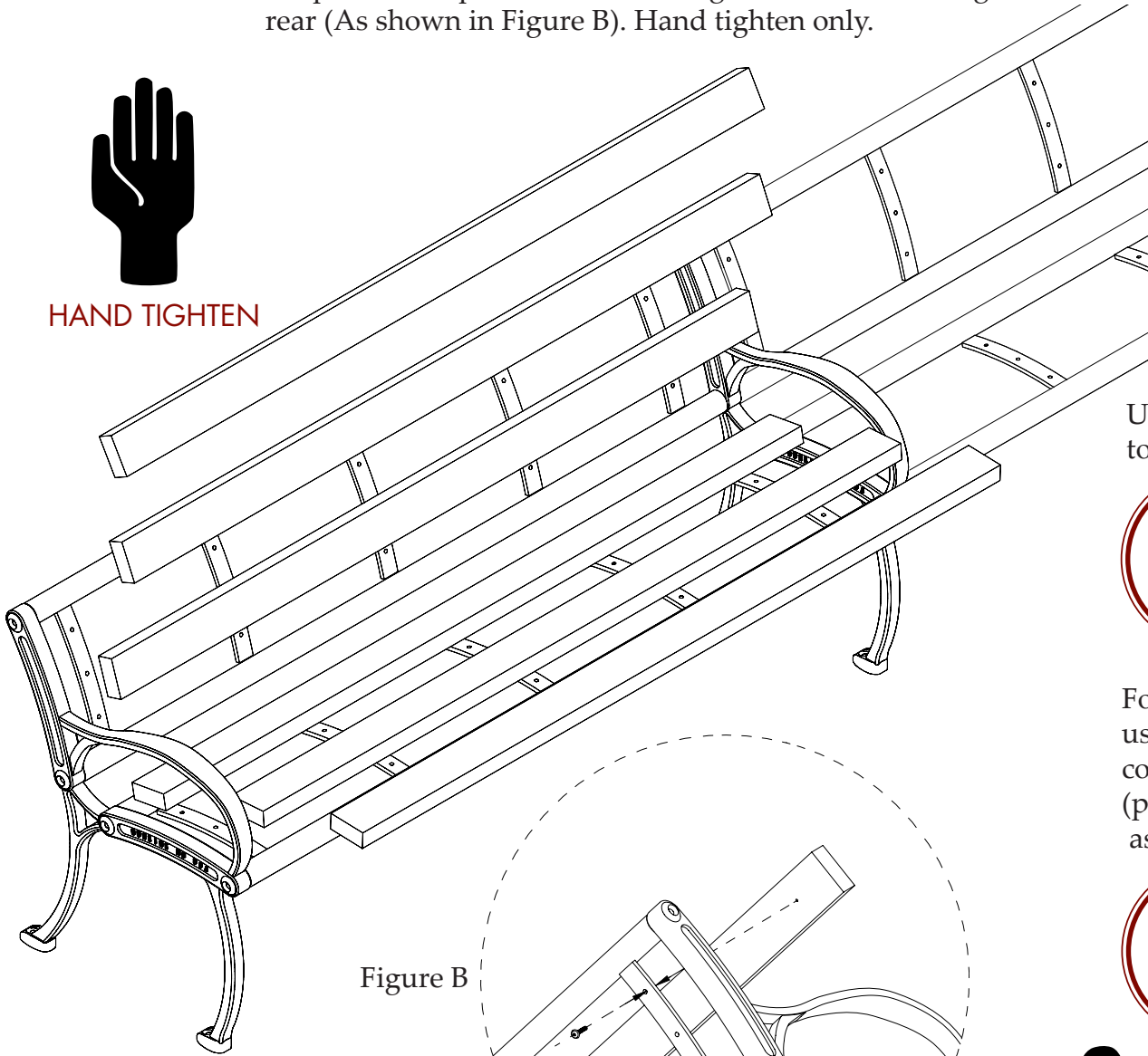




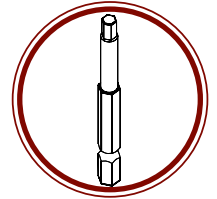
STEP # 11 Next, install all bench slats using the supplied hardware. Make sure the pre-drilled pilot holes are facing down and insert lag screw from rear (As shown in Figure B). Hand tighten only.



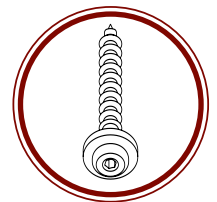
HAND TIGHTEN



Use provided tool for step 11



For this step use lag screw combination (parts D & E) as shown:



#12 Once the slats are attached and aligned properly, tighten the front and back slats in an alternating sequence. (Front Right, Back Left, etc.) Tighten all screws with tool.
DO NOT OVER TIGHTEN.



TOOL TIGHTEN

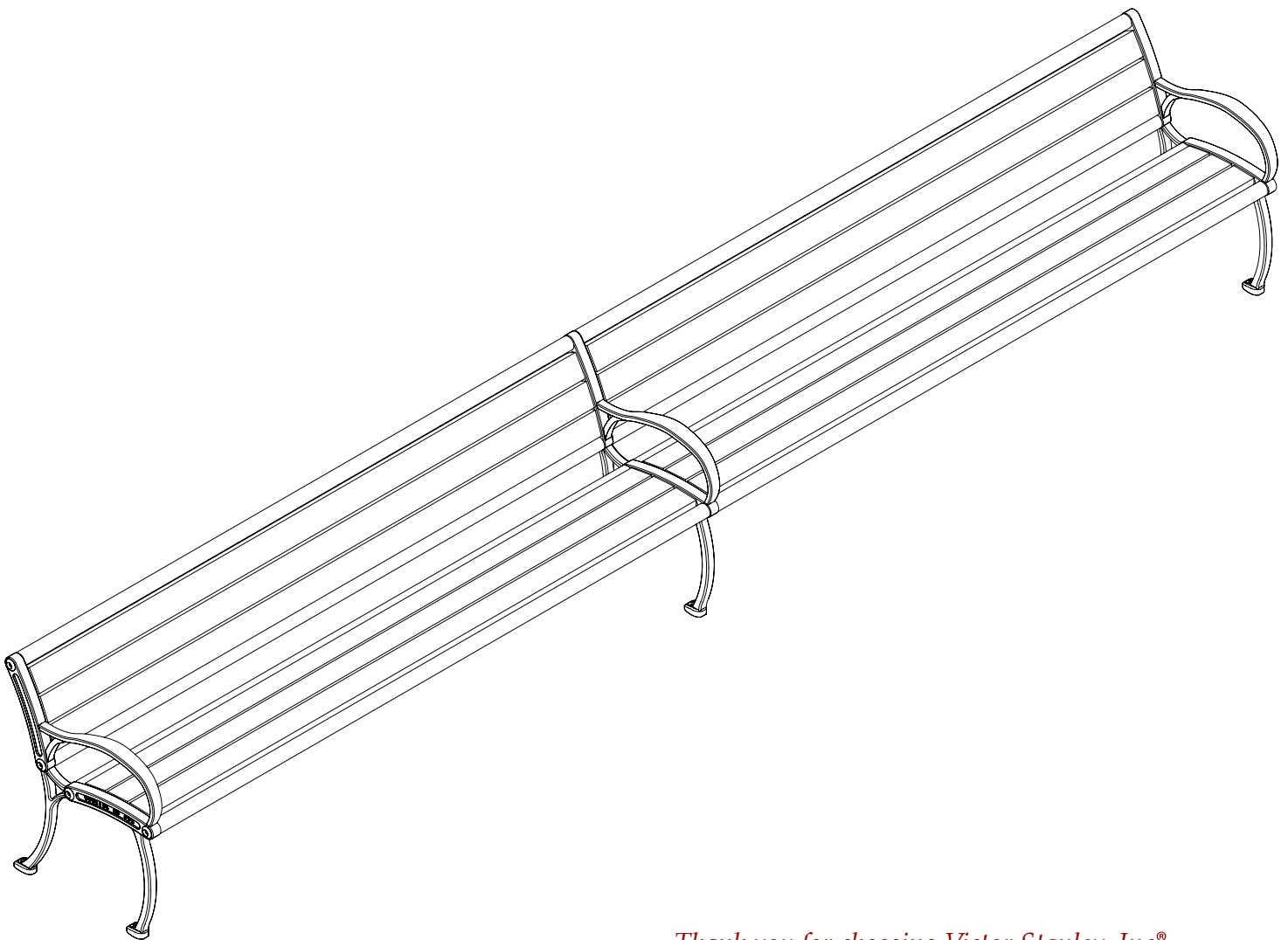


VICTOR STANLEY, INC.®
-Manufacturers of Quality Site Furnishings since 1962-

CM-324 GREENSITE SERIES™
FM-324 FRAMERS MODERN™ SERIES
ASSEMBLY INSTRUCTIONS

PAGE 9 OF 9

CM-324 GREENSITE SERIES™
FM-324 FRAMERS MODERN™ SERIES
FINAL PRODUCT



Thank you for choosing Victor Stanley, Inc.®

Should you have any problems, please contact Victor Stanley, Inc.® **WWW.VICTORSTANLEY.COM**

© Copyright 2009 Victor Stanley, Inc.® All Rights Reserved