



F-50 STEELSITES™ SERIES CM-50 GREENSITES SERIES™ ASSEMBLY INSTRUCTIONS

Ref# 2008-588, revised 10-3-08 by J.D.R.

READ ALL INSTRUCTIONS THOROUGHLY
BEFORE YOU BEGIN.

CHECK ALL PARTS

- Be certain there are no missing parts.
- Be certain all required tools are available.

REQUIRED TOOLS

- Driver for 5/32-inch Hex Drive.
- Ratchet or Breaker Bar.
- Socket 1/4-inch & 3/4-inch
- Standard 3/4-inch wrench

ASSISTANCE REQUIRED

- 2 people recommended to assemble product.
- Necessary to handle, fit, and secure components.
- Heavy lifting.

All specifications are subject to change. Contact manufacturer for details.
Directions do not include center armrest attachment

DELIVERY, STORAGE, and HANDLING

- Delivery: Deliver products to site in manufacturer's original, unopened containers and packaging. Upon delivery, examine packages immediately to ensure all products are complete and undamaged.
- Storage: Store products in a protected, dry area in manufacturer's unopened containers and packaging
- Handling: Protect product's finish from damage during handling and installation.

INSTALLATION

- Clearance for 1/2-inch (9.53mm) anchor bolts (anchor bolts not provided by Victor Stanley, Inc.)
- Mounting: It is not recommended to locate anchor bolts until bench is in place. This Victor Stanley, Inc. product must be permanently affixed to the ground. Consult your local codes for regulations.

PROTECTION

- Protect products prior to installation by having them remain in The manufacturer's packaging and container.

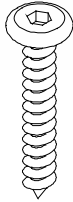

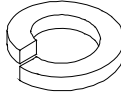

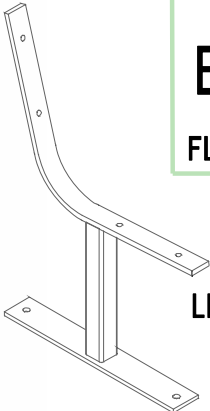
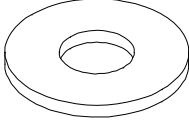
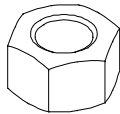
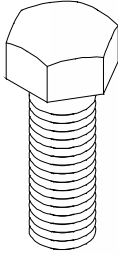

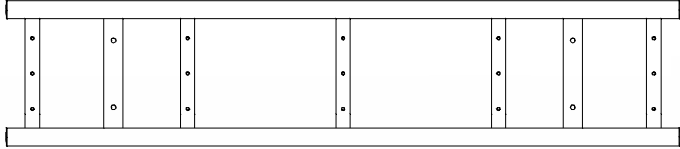


Should you have any problems, please contact Victor Stanley, Inc.

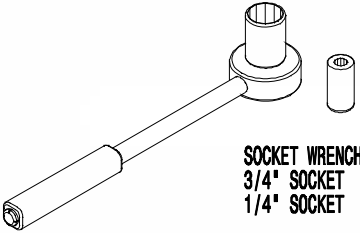
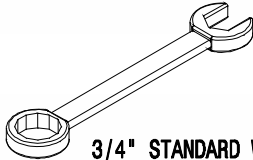

www.victorstanley.com



PARTS LIST

<p>Ax30 7mm x 40mm LAG SCREW</p> 	<p>Bx1 5/32-inch HEX DRIVE BIT</p> 	<p>Cx8 LOCK WASHER</p> 	<p>Dx30 WASHER</p> 
	<p>Ex16 FLAT WASHER</p> 	<p>Fx8 HEX NUT</p> 	<p>Gx8 1-2" BOLT</p> 
<p>Hx2 LEG SECTION</p>	<p>Ix6 (PRE-DRILLED) SEAT SLAT</p> 		
<p>Jx2 SEAT AND BACK FRAME</p> 			

TOOLS REQUIRED (NOT PROVIDED)

 <p>SOCKET WRENCH 3/4" SOCKET 1/4" SOCKET</p>	 <p>3/4" STANDARD WRENCH</p>	 <p>HANDS *This symbolizes when to use HAND to tighten.</p>
--	--	--

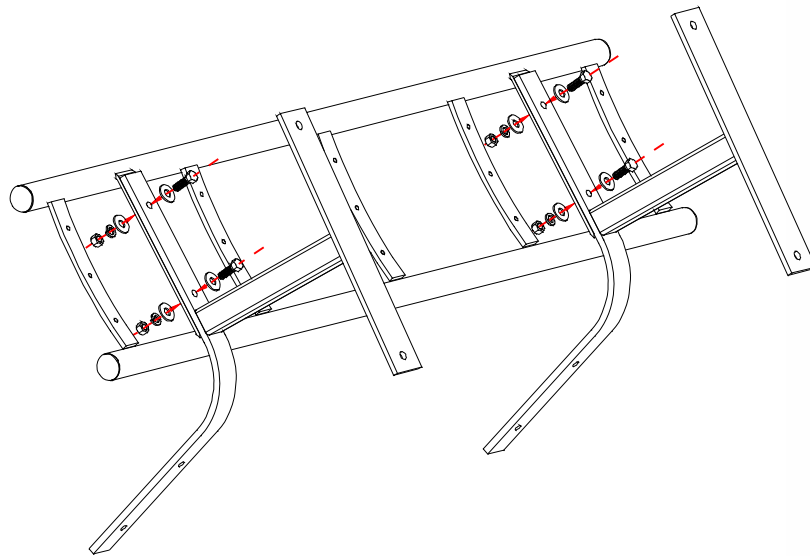


STEP #1 Remove all parts from their boxes and bags, and place on towels or a soft surface to prevent scratching the finish (towels, cardboard, grass, ect.)

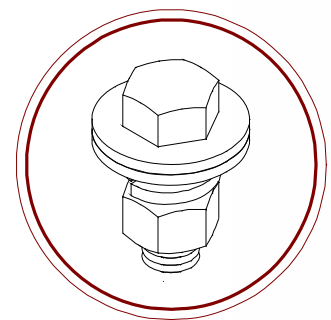
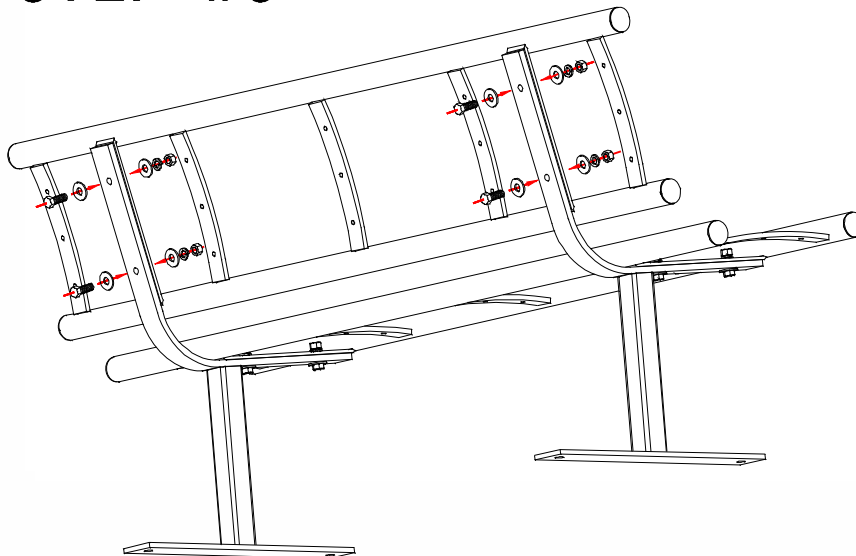
STEP #2 Measure spacing of holes on bench and back section and place the bench legs at proper distance. Place seat section frame onto the bench legs and insert bolts (from bottom) through holes (as shown). Hand tighten all bolts.



**HAND TIGHTEN
 STEPS 2 & 3**



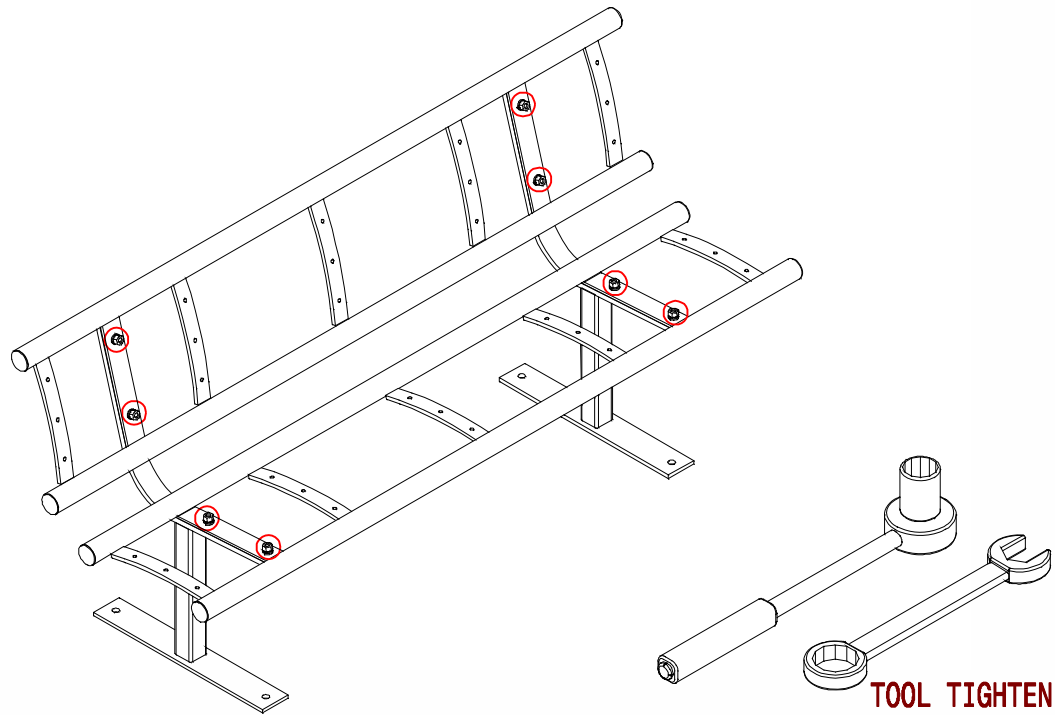
STEP #3 With help, move back section into place and insert bolts (from behind) through holes (as shown), hand tighten.



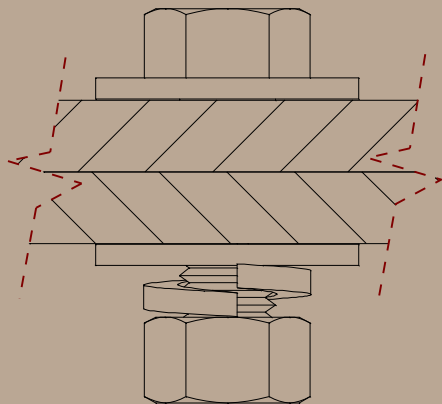
For step# 2 & 3
 use bolt and fastener
 combination G/E/E/C/F
 (as shown)



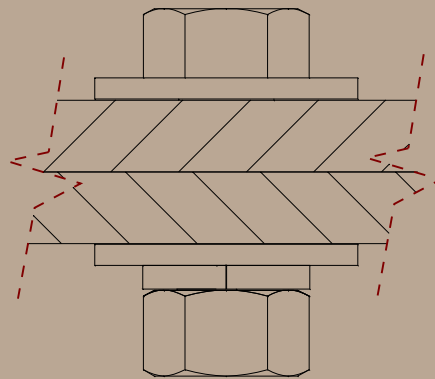
STEP #4 Tool tighten all bolts until lock washers compress (as shown)
DO NOT OVER TIGHTEN



TOOL TIGHTEN
use 3/4" socket wrench
and 3/4" standard wrench



**Bolt & fastener before
tool tightening**

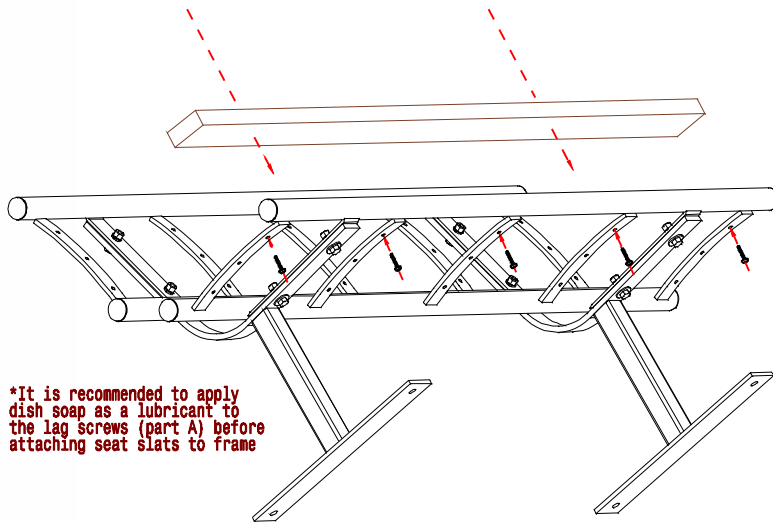


**Bolt & fastener after
tool tightening**

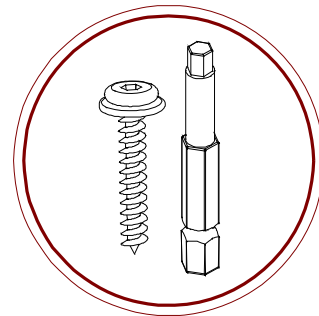


STEP #5

Place (1) board on seat section and insert screws (from bottom) through support truss (as shown) into pre-dilled holes, "Snug" screws using tool provided. Repeat step (#5) until all boards are fitted in place and screws are inserted **DO NOT** tighten fully until all screws and boards are in place.



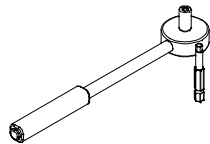
*It is recommended to apply dish soap as a lubricant to the lag screws (part A) before attaching seat slats to frame



For step# 5 & 6 use lag screw and washer combination A/D (as shown)

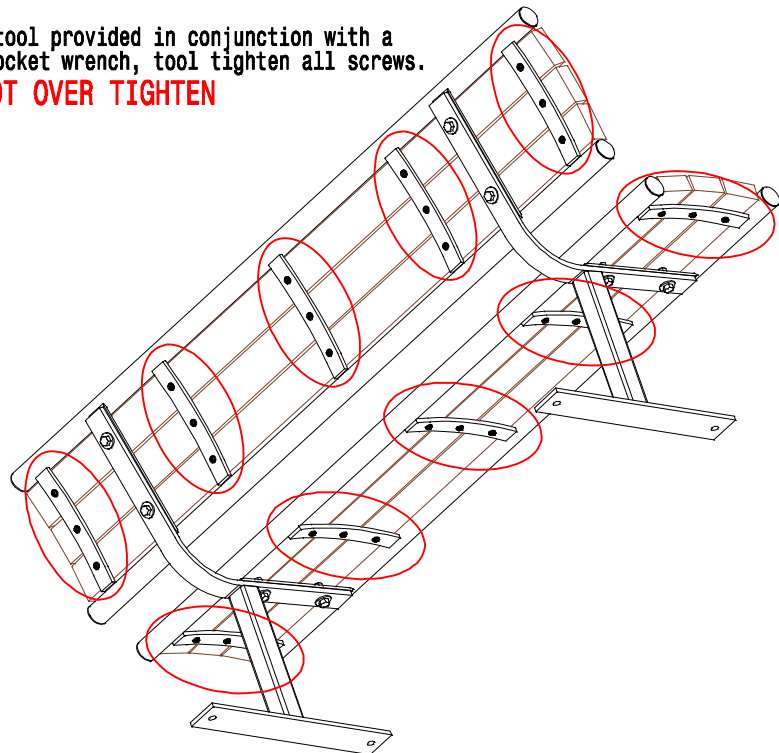
STEP #6

Using tool provided in conjunction with a 1/4" socket wrench, tool tighten all screws. **DO NOT OVER TIGHTEN**



TOOL TIGHTEN

use tool provided and 1/4" socket wrench





VICTOR STANLEY, INC.®
-Manufacturers of Quality Site Furnishings since 1962-

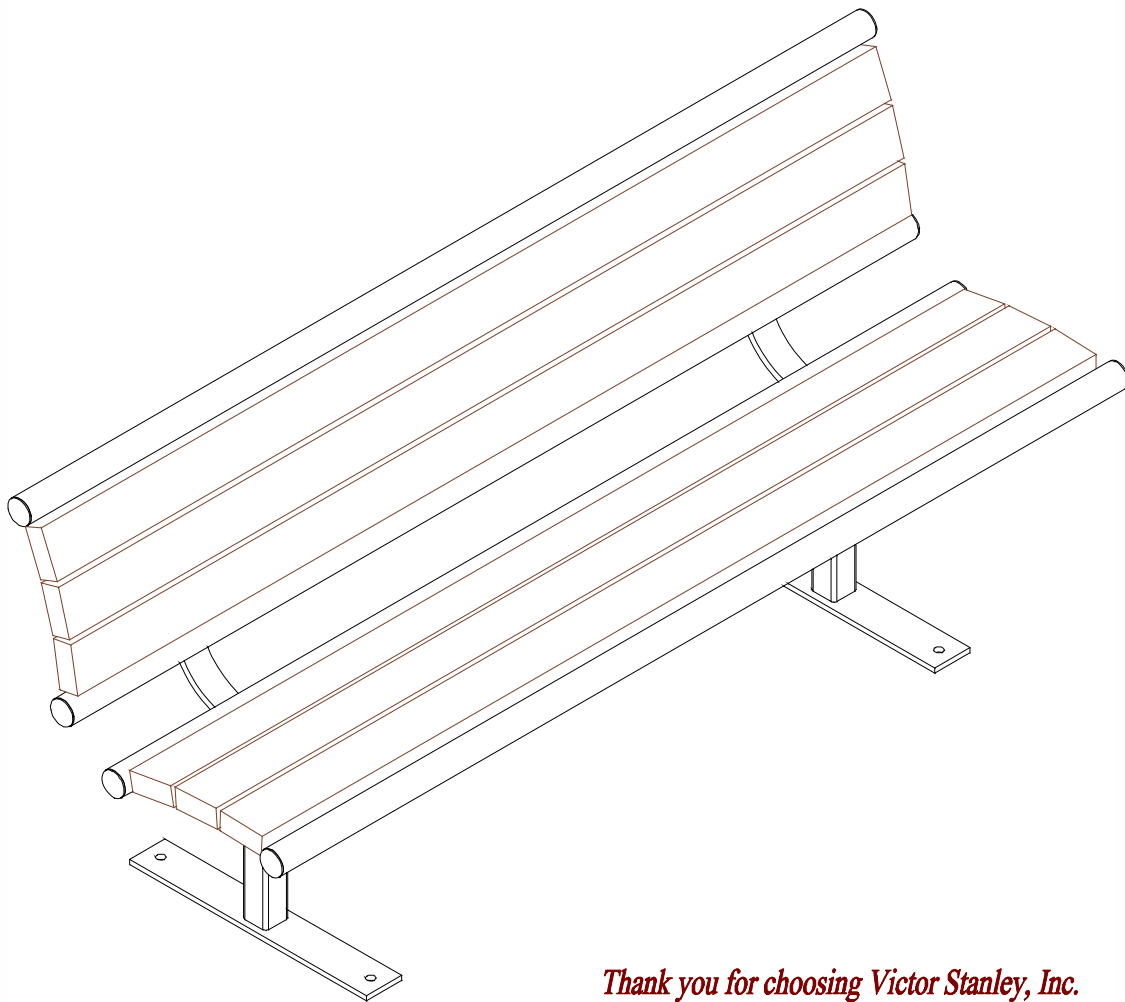
F-50 STEELSITES™ SERIES

CM-50 GREENSITES SERIES™

ASSEMBLY INSTRUCTIONS

PAGE 6 of 6

CM-50 GREENSITES SERIES™ FINAL PRODUCT



Thank you for choosing Victor Stanley, Inc.